

mackworth



Sling Guide

Mackworth Patient Slings

For more than 30 years Mackworth has specialized in the latest British manufacturing techniques used throughout the global moving and handling markets, resulting in an extensive, high-quality range of patient slings.

Mackworth prides itself in efficiently transferring patients in the safest, most comfortable manner. As safety is at the forefront of our agenda, Mackworth use only the finest quality materials. Utilizing reinforced sewing procedures, with all designs, this ensures peace of mind for carer and patient alike. Our key designs reduce shear and friction forces, whilst still providing intense strength and durability.

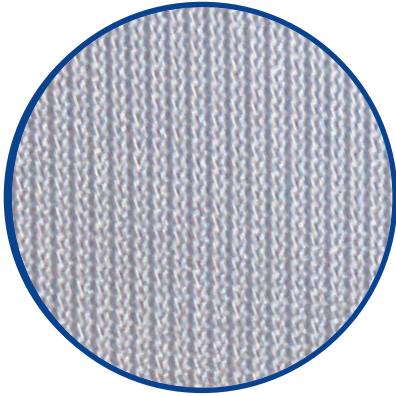


- 1 Highly skilled seamstresses with over 30 years experience.
- 2 Laser Guided sewing technology thus providing consistency and strength.
- 3 Computer Controlled Cutting (CNC) devices, allowing volume manufacturing.

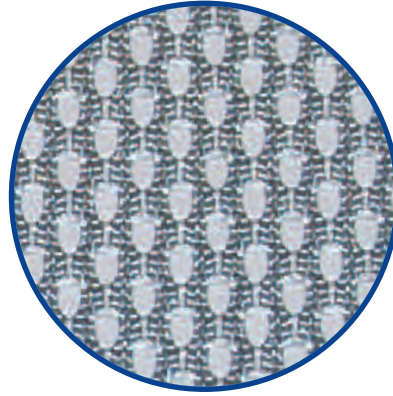


Sling Fabric Selection

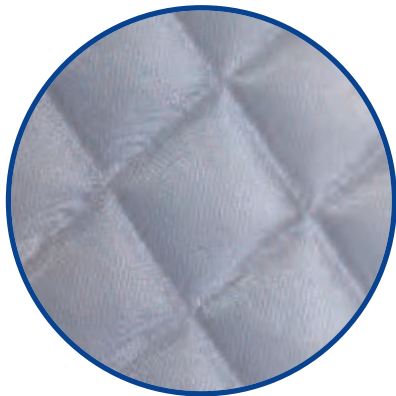
Mackworth has a variety of durable, flame retardant fabrics available to meet varying "patient specific" requirements. A selection of 100% polyester and cotton materials ensures that there is no distortion arising from differing shrinkage in laundering, whilst complying with current fire regulations. The webbing used by Mackworth has a breaking strain of over one ton, and does not tangle or "corkscrew" during the cleaning process. All materials are repeatedly launderable up to 85°, ensuring enhanced longevity.



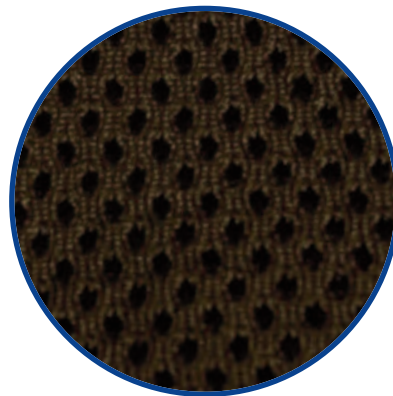
Polyester Solid (Gray)
A smooth knitted polyester fabric of a solid consistency for multi disciplinary use.



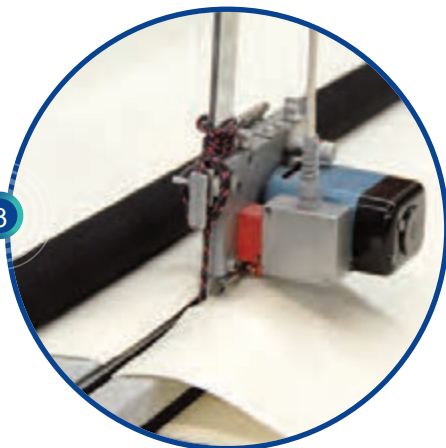
Polyester Mesh (Gray)
A versatile, breathable and durable polyester mesh, used mainly for bathing / pool use.



Quilted (Gray)
A padded and quilted polyester fabric which enhances patient comfort.

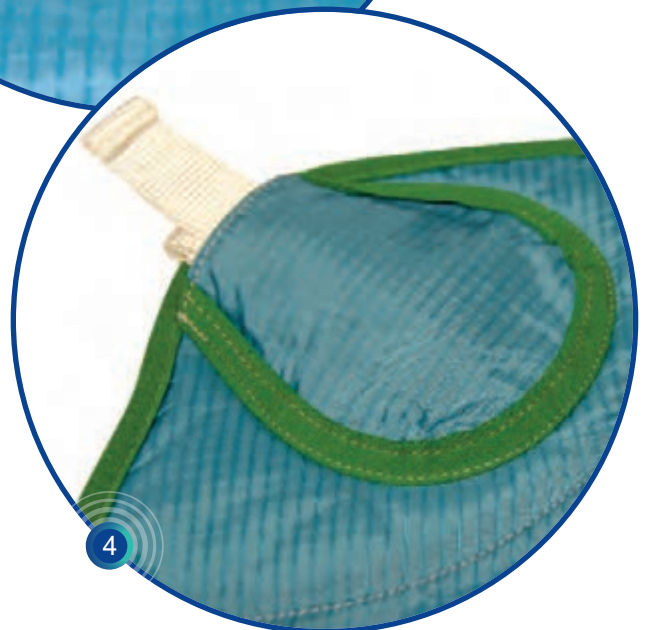


Supersoft Spacer (Black)
A "supersoft" breathable, stretch capable fabric, which is also padded for comfort during longer periods of transfer.



Note: Please contact your Rep for the relevant product codes, which will vary according to specifications required.

Special Features



- 1 Unique embroidered label, identifying maximum patient weight and serial number for LOLER test compliance.
- 2 Most standard sling selections are available with or without head section.
- 3 High temperature compatible, launderable labels for user guidance and traceability purposes.
- 4 Specialist pocket design enabling tidy loop & clip housing.



Sling Selection

Oak / Universal

Without Head Support



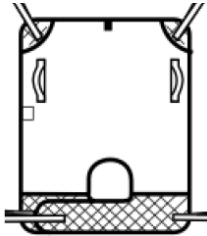
With Head Support



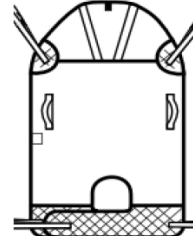
Hazel / Classic Universal

(LL-Long Leg) / (SL-Short leg)

Without Head Support

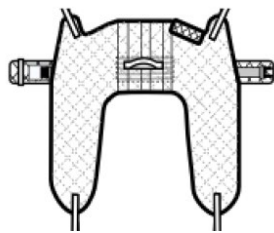


With Head Support

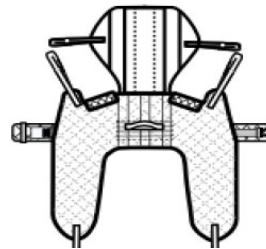


Willow / Luxury Toilet

Without Head Support



With Head Support

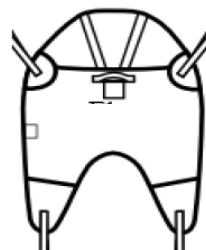


Elm / Patient Specific

Without Head Support



With Head Support



Oak™

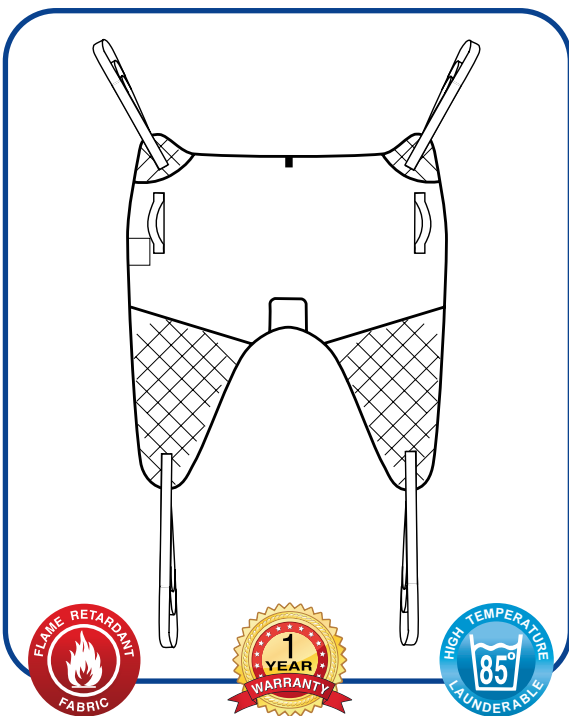
Universal Sling

The **Oak** sling is a widely used standard universal product made of the highest quality raw materials. As one of our best selling items within the Mackworth range, this general purpose sling naturally comes with the usual standards expected of our specialist teams.

Available with or without a shaped head section, this item can be made to individual patient requirements. **Oak** is simple to use but supportive when you need it most.



Features	Benefits
Color coded straps or clips	Height adjustable for multi-patient application
A Various fabrics available	Patient & environment specific
B Webbing pocket	Allows tidy storage of webbing, when not in use
C Modesty loop	Protects patient dignity
Embroidered weight & serial number label	LOLER compliant - does not wash out at high temperatures
Color coded binding	Determines sling size by use of a neat boundary



X Small	450 lbs
Small	450 lbs
Medium	450 lbs
Large	450 lbs
X Large	450 lbs
XX Large	675 lbs
XXX Large	675 lbs

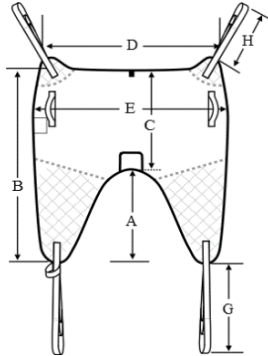
Note: The **Oak** sling selection is compatible for use with most mobile hoist and ceiling track products.

Oak

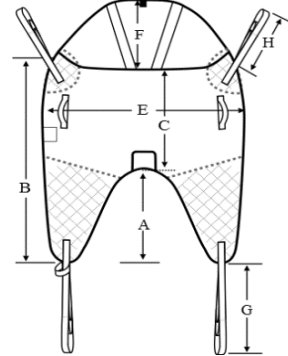
UNIVERSAL

MATERIAL OPTIONS
SOLID
MESH
SPACER

Without Head Support



With Head Support



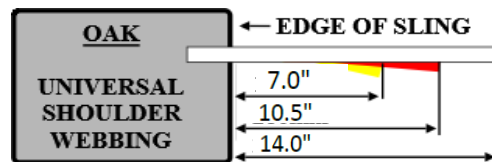
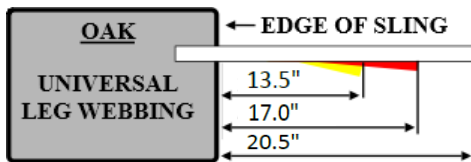
SIZING NOTES

- * Measurement "B" is taken down the center of the sling to the end of the leg.
- * Measurement "B" on the finished sling is A + C with the sling laid flat.
- * "D" is measured at the top edge of the "Without Head Sling" only.

FINISHED SLING DIMENSIONS IN INCHES

	XS	S	M	L	XL	XXL
A	14.5	16.0	18.0	19.0	19.0	20.0
B	34.0	36.0	39.0	42.0	42.5	48.5
C	19.5	20.5	21.5	25.0	26.0	28.0
D	25.0	29.0	33.0	34.0	33.5	37.5
E	30.0	34.0	38.0	42.0	44.0	47.0
F	11.0	14.0	14.0	14.0	14.0	14.0
G	20.5	20.5	20.5	20.5	20.5	20.5
H	13.0	14.0	14.0	14.0	14.0	13.0

(All measurements are rounded to the nearest half inch)



NOTE: This document is a guide only and shrinkage may occur during laundering processes. Specials/Made to measure variations of this and other sling designs for specialist patient needs will possibly vary from this guide. All measurements are rounded to the nearest half inch +/- when rounding to the nearest 10th.

Hazel™

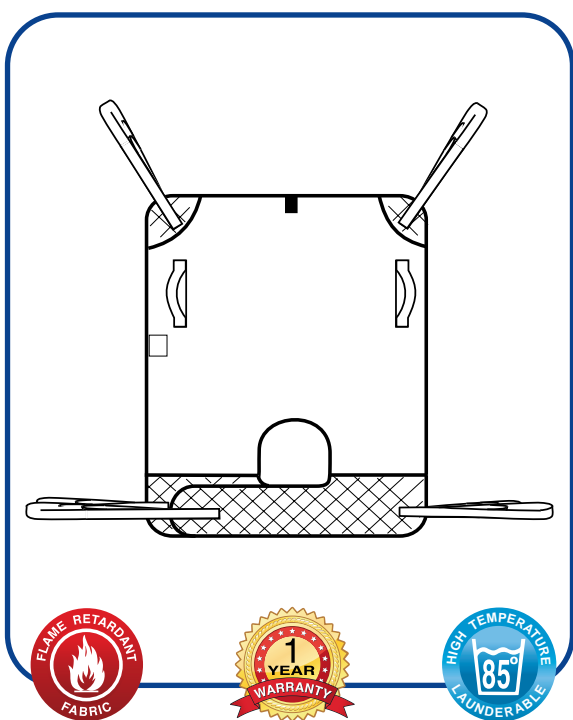
Classic Universal Sling

Hazel is a durable, classic universal sling pattern developed for general purpose transfers and bathing. As this product can be cut perfectly to suit each patient, stability around the body and head encourages support to those with even the most challenging disabilities.

Although this item is manufactured in our gray, fade resistant color scheme as standard, a variety of alternative, high grade materials are also available.



	Features	Benefits
	Color coded straps or clips	Height adjustable for multi-patient application
A	Dual sided positioning handles	Encourages ease of manoeuvrability
B	Webbing pocket	Allows tidy storage of webbing, when not in use
	Modesty loop	Encourages patient dignity
C	Embroidered weight & serial number label	LOLER compliant - does not wash out at high temperatures
	Color coded binding	Determines sling size by use of a neat boundary



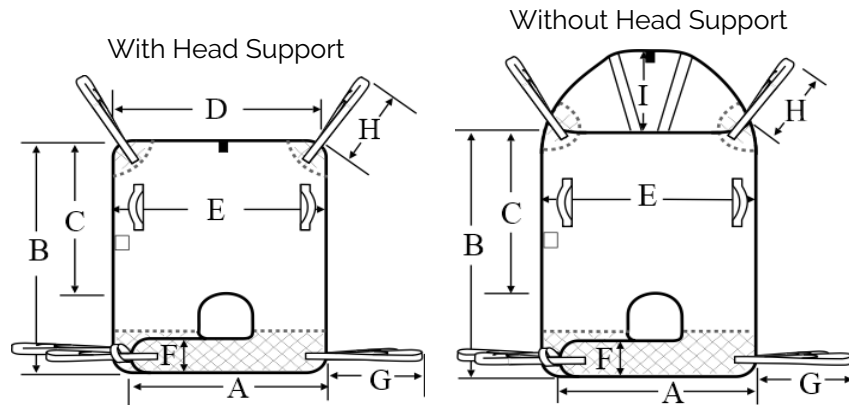
X Small	450 lbs
Small	450 lbs
Medium	450 lbs
Large	450 lbs
X Large	450 lbs
XX Large	675 lbs
XXX Large	675 lbs

Note: The **Hazel** sling selection is compatible for use with most mobile hoist and ceiling track products.

HAZEL

(LL- LONG LEG)
CLASSIC UNIVERSAL

MATERIAL OPTIONS
SOLID
MESH



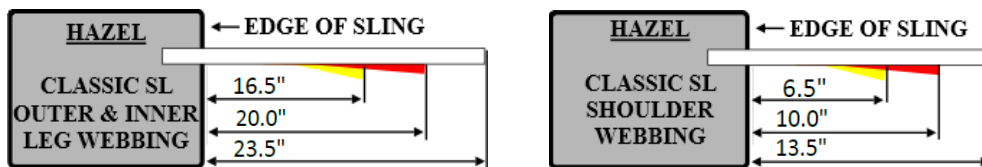
Sizing Notes:

- * Measurement "B" is taken down the side of the sling (No Head Sling).
- * This sling has the same webbing on the inside and outside of the legs dimension "G".
- * "D" is measured at the top edge of the "Without Head Sling" only.

FINISHED SLING DIMENSIONS IN INCHES

	XS	S	M	L	XL	XXL
A	25.0	27.0	29.0	32.5	34.5	39.5
B	29.5	32.0	33.5	34.5	34.5	36.5
C	24.0	23.0	24.0	26.0	26.5	29.0
D	28.0	32.0	33.5	32.5	36.0	42.5
E	33.5	37.5	40.5	42.5	46.5	51.0
F	6.5	6.5	6.5	6.5	6.5	6.5
G	23.0	23.0	23.0	23.5	23.0	23.0
H	13.5	13.5	13.5	13.5	14.0	14.0
I	11.0	14.0	14.0	14.0	14.0	14.0

(All measurements are rounded to the nearest half inch)

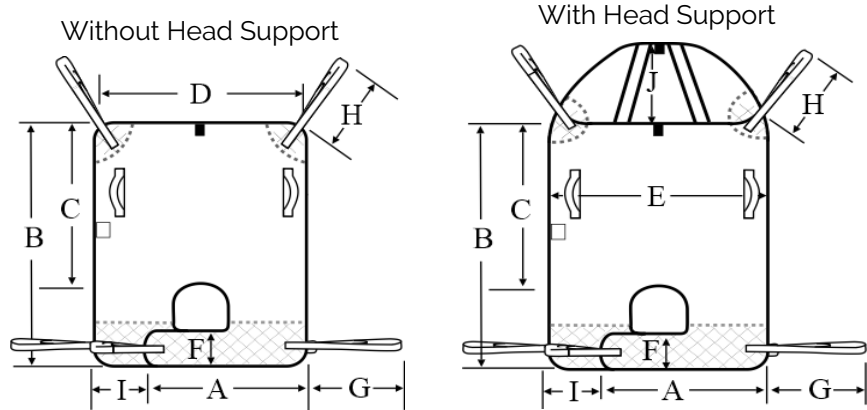


NOTE: This document is a guide only and shrinkage may occur during laundering processes. Specials/Made to measure variations of this and other sling designs for specialist patient needs will possibly vary from this guide. All measurements are rounded to the nearest half inch so could have +/- when rounding to the nearest 10th.

HAZEL

(SL- SHORT LEG)
CLASSIC UNIVERSAL

MATERIAL OPTIONS
SOLID
MESH
SPACER



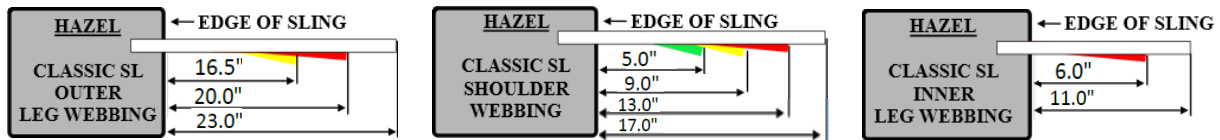
SIZING NOTES

- * Measurement "B" is taken down the side of the sling (No Head Sling).
- * This sling has A short inside leg webbing, dimension "I".
- * "D" is measured at the top edge of the "Without Head Sling" only.

FINISHED SLING DIMENSIONS IN INCHES

	XS	S	M	L	XL	XXL
A	21.0	22.0	25.5	28.5	33.0	37.5
B	28.0	31.0	35.0	39.5	43.0	47.5
C	22.5	25.0	29.0	33.5	37.0	39.5
D	20.5	23.0	29.5	34.0	39.0	42.5
E	27.0	29.0	35.5	42.0	48.0	52.5
F	6.0	7.0	7.0	7.0	7.5	9.0
G	23.0	23.0	23.0	23.0	23.0	23.5
H	17.0	17.0	17.0	17.0	17.0	17.0
I	11.0	11.0	11.0	11.0	11.0	11.0
J	11.0	14.0	14.0	14.0	14.0	14.0

(All measurements are rounded to the nearest half inch)



NOTE: This document is a guide only and shrinkage may occur during laundering processes. Specials/Made to measure variations of this and other sling designs for specialist patient needs will possibly vary from this guide. All measurements are rounded to the nearest half inch so could have +/- when rounding to the nearest 10th.

Willow™

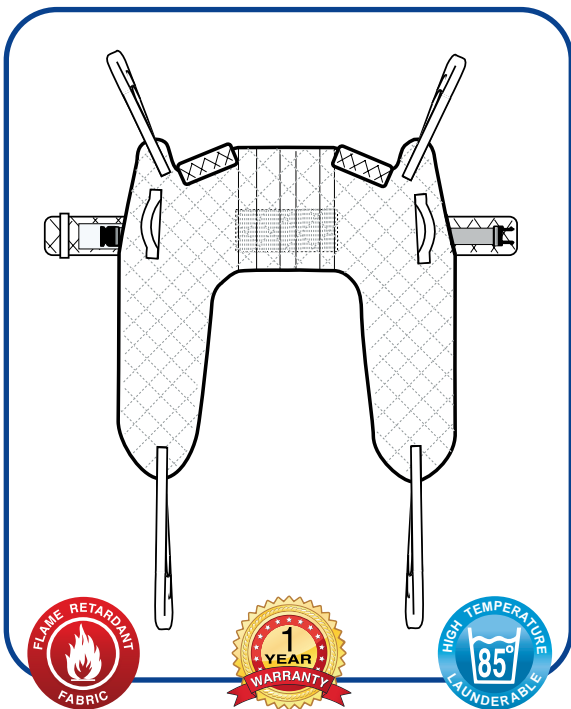
Luxury Toileting Sling

When selecting the best quality luxury toileting sling, then you need look no further than the **Willow**. Manufactured using the latest laser guided needle technology to enhance strength; this product is available with or without head supports to work in conjunction with varying patient requirements.

This cleverly designed pattern facilitates toilet transfer procedures, whilst allowing ease of clothing removal. The **Willow** luxury toileting sling can be used in conjunction with most spreader bar hoists.



Features	Benefits
Color coded straps or clips	Height adjustable for multi-patient application
A Under arm padding	Provides patient comfort during transfer
B Specialist toilet pattern	Allows ease of clothing removal for toilet visits
C Security belt	Provides patient safety
Embroidered weight & serial number label	LOLER compliant - does not wash out at high temperatures
Color coded binding	Determines sling size by use of a neat boundary
Webbing pocket	Allows tidy storage of webbing when not in use



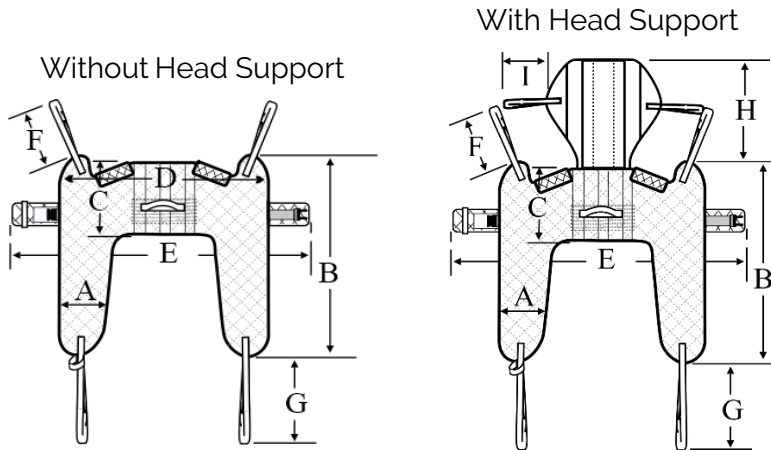
X Small	450 lbs
Small	450 lbs
Medium	450 lbs
Large	450 lbs
X Large	450 lbs
XX Large	675 lbs
XXX Large	675 lbs

Note: The **Willow** sling selection is compatible for use with most mobile hoist and ceiling track products.

WILLOW

LUXURY TOILET

MATERIAL OPTIONS
QUILTING / SOLID
SOLID



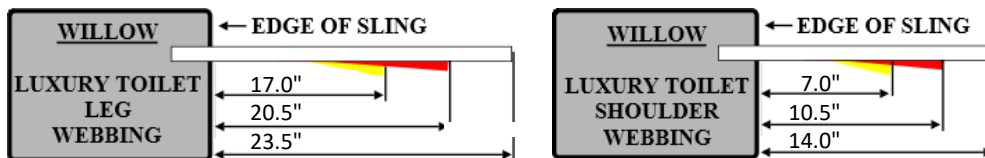
SIZING NOTES:

- * Measurement "B" is taken from the tip of the shoulder to the end of the leg.
- * "A" is measured 8" from the end of the leg.
- * "D" is measured 4" from the top of the sling on the widest part.

FINISHED SLING DIMENSIONS IN INCHES

	XS	S	M	L	XL	XXL
A	6.5	7.5	8.0	8.5	8.5	8.5
B	31.0	33.5	35.0	38.5	41.0	45.5
C	11.0	11.0	11.0	12.0	12.0	12.5
D	30.5	34.0	38.5	41.5	44.5	49.5
E	36.0	41.0	45.5	55.0	65.0	76.0
To Fit Waist	24-30"	27-36"	31-41"	40-51"	51-60"	61-70"
F	14.0	14.0	14.0	14.0	14.0	14.0
G	23.5	23.5	23.5	23.5	23.5	23.5
H	14.0	19.5	19.5	19.5	19.5	19.5
I	WEBBING ADJUSTABLE FOR THE PATIENTS COMFORT AND POSITION					

(All measurements are rounded to the nearest half inch)



NOTE: This document is a guide only and shrinkage may occur during laundering processes. Specials/Made to measure variations of this and other sling designs for specialist patient needs will possibly vary from this guide. All measurements are rounded to the nearest half inch so could have +/- when rounding to the nearest 10th.

Elm™

Patient Specific Sling

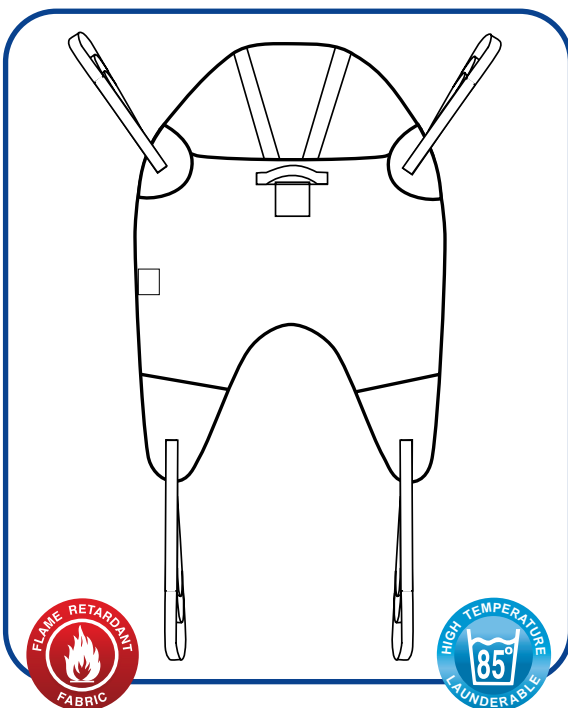
The **Elm** sling is manufactured as an economic, disposable, single patient use product.

However, as this is developed using a white sanforised cotton, Mackworth suggest that a maximum of 20 washes at our recommended temperatures can be encouraged. This feature is highly unusual for a disposable product.

When used as a multi-use, disposable patient specific sling, **Elm** is both affordable and infection control friendly



Features	Benefits
Color coded straps or clips	Height adjustable for multi-patient application
A Launderable procedures label	For guidance and traceability purposes
B Strong, sanforised, multi-wash cotton	Infection control friendly for single patient use
C Head section as standard	Allows for use on a variety of patients
Anti-corkscrew webbing	Provides great strength
Color coded binding	Determines sling size by use of a neat boundary



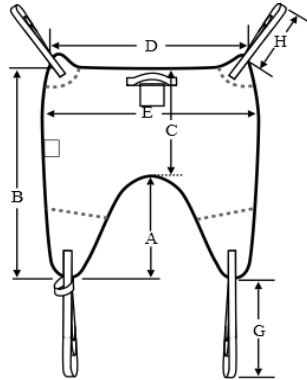
X Small	450 lbs
Small	450 lbs
Medium	450 lbs
Large	450 lbs
X Large	450 lbs

Note: The **Elm** sling selection is compatible for use with most mobile hoist and ceiling track products.

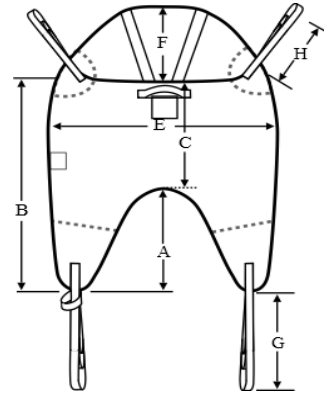
ELM
MULTI USE DISPOSABLE

MATERIAL OPTIONS
SANFORIZED COTTON

Without Head Support



With Head Support

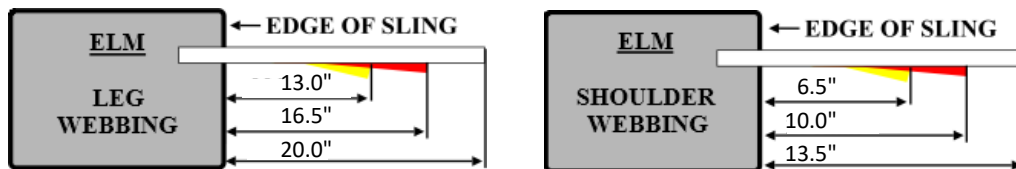


SIZING NOTES:

- * Measurement "B" is A + C with the sling laid flat, center sling.
- * "D" is measured at the top edge of the "Without Head Sling" only.

FINISHED SLING DIMENSIONS

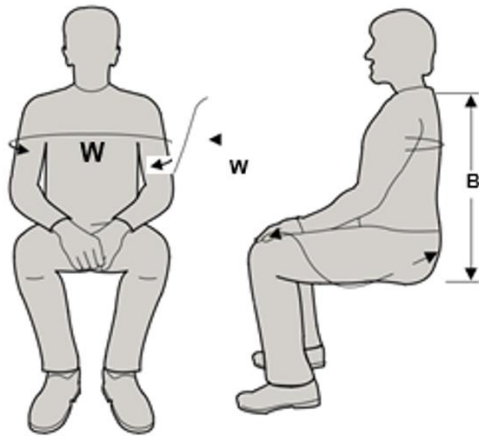
	XS	S	M	L	XL
A	14.5	16.0	19.5	18.5	19.0
B	34.0	36.5	39.0	42.0	42.5
C	19.5	21.0	22.0	25.5	26.0
D	25.0	29.0	32.5	34.5	33.5
E	30.0	34.0	38.0	41.5	44.0
F	11.0	14.0	14.0	14.0	14.0
G	20.5	20.0	20.0	20.0	20.5
H	13.0	13.5	13.5	13.5	14.0



NOTE: This document is a guide only and shrinkage may occur during laundering processes. Specials/Made to measure variations of this and other sling designs for specialist patient needs will possibly vary from this guide. All measurements are rounded to the nearest half inch so could have +/- when rounding to the nearest 10th.

Universal Sling Fitting Guide

Patient Measuring



W: Humorous bone – outer most post (left to right)



B: Coccyx to base of neck



Sling Sizes

Sling sizes are identified through the color of the ribbon edging. The color and size is identified below.

Sling Size and Color Chart

Size	Col	Sling Width	User Width Range		Sling Back	User Back Range	
			(Minimum)	(Maximum)		(Minimum)	(Maximum)
X Small	Brown	30.0	19.0	22.0	19.0	18.0	20.5
Small	Red	34.0	21.5	25.0	20.0	18.5	21.5
Medium	Yellow	38.0	24.0	28.0	21.0	19.0	23.0
Large	Cyan	42.0	26.5	30.5	25.0	23.0	27.0
X Large	Dark Blue	44.0	28.0	32.5	26.0	24.0	28.0
XX Large	Pink	47.0	30.0	35.0	26.0	24.0	28.0

(Measurements in inches and rounded in nearest half inch)

Material Types

The various materials provide various benefits to the patient, the material options are:

- Polyester Solid (Gray)
- Polyester Mesh (Gray)
- Quilted (Gray)
- Supersoft Spacer (Black)
- Single Use Material
- Patient Specific Material

How to fit a Standard Sling from a seated position

The following pictures are provided as a guide only, in a basic numerical format of how to fit a standard sling design from a seated position. Please note that a general assessment must be conducted in all instances by a qualified carer. Mackworth does not accept any liability in relation to an incorrectly fitted sling.



- 1 If the patient has some upper body support, then please ask the user to lean forward and slip the sling behind the back in an upright position. Ensure that the patient is supported at all times.

- 2 Once the sling is behind the patient and the loops are rested safely over the shoulders, please place the leg support pieces underneath the patient's legs, ensuring the modesty loop is through fitted as shown.



- 3 When the sling is in a comfortable position, then lower the hoist and apply the loops to the spreader bar, subject to patient demographics. Once secure, then hoist the patient, ensuring that the guide straps are used to steady accordingly.

How to fit a Standard Sling from a lying position

The following pictures are provided as a guide only, in a basic numerical format of how to fit a standard sling design from a lying position. Please note that a general assessment must be conducted in all instances by a qualified carer. Mackworth does not accept any liability in relation to an incorrectly fitted sling.

Note: Always use a sling with a head section for floor lifting procedures.



- 1 Place the patient comfortably on their side (similar to that of the recovery position). Please lay out the sling as shown above in a half rolled out format.



- 2 Once the sling is correctly in position, then safely roll the patient over on to the sling as shown.



- 3 Roll the sling out in an open format, ensuring that the patient is supported and comfortable at all times.



- 4 Ensuring that the carer maintains safe practice, please carefully roll the patient over on to their back, placing their hands by their sides or where comfortable.

How to fit a Standard Sling from a lying position

(continued)

Once the patient and sling are positioned correctly, the lifting process can begin, as shown in the pictures below.



5 Please place the leg support pieces underneath the patient's legs, ensuring the modesty loop is through fitted as shown. Repeat the process of the shoulder straps and attach the appropriate length to the spreader bar.

6 Finally, please communicate with the patient that you are lifting them upright or reassure them via other means if they have difficulty understanding you. Use the guide straps to steady the patient as required.

All sizes and weight limits as provided within this brochure are for guidance only. Mackworth recommends that a full patient assessment is completed by a qualified professional in order to determine that the correct sling is suitable for each individual.

Health & Safety consideration: When lifting patients from the floor who may have fallen, please ensure consideration of potential spinal and neck injuries. The head must be fully supported at all times and supervised accordingly by an appropriately trained carer.



mackworth

Mackworth USA is part of a large multi-national safe patient handling group founded in 1984. We provide specialist moving, handling and bathing equipment for elderly, disabled and mobility disadvantaged clients in a range of care environments, from community care to schools, hospitals and care homes. Our products are manufactured in the UK and are tested to the latest highest quality standards and are designed to be safe, reliable and easy to use.

Mackworth USA
54 West Industrial Drive
O'Fallon, MO 63366

Email: mackworthhelpdesk@mackworthusa.com
Website: www.mackworthusa.com
Phone: (314) 889-1000

© Copyright of Prism UK Medical Ltd
All Rights Reserved' 2023

Mackworth is a registered Trade
Mark of Prism Medical UK
(Prism UK Medical Ltd.)

